

**P N H**

PROFESSIONAL  
FURNITURE  
& INNOVATION

# CHIPS SCUTTLE

---

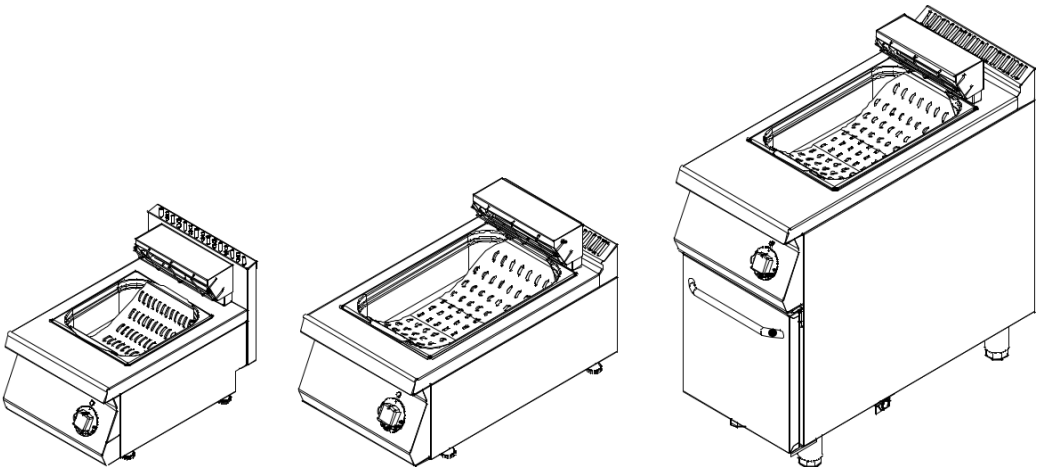
**600 SERIES :**

**700 SERIES :**

**900 SERIES :**

---

## USER MANUAL




---

**600 SERIES**

**700 SERIES**

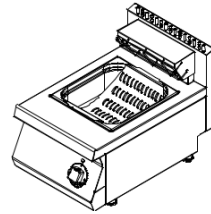
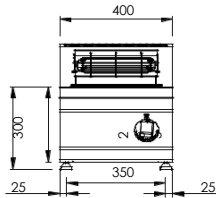
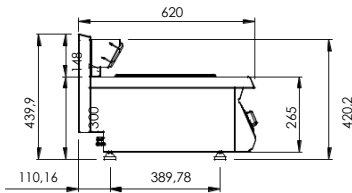
**900 SERIES**

# TECHNICAL SPECIFICATIONS

(MODELS) 	KEP-4060	KEP-4070	KEPD-4070	KEPD-4090
(mm) (SIZES)	400x620x300	400x740x300	400x740x850	400x900x850
(TOTAL ELECTRICITY POWER)	900	900	900	900
(V) (VOLTAGE)	220 - 240	220 - 240	220 - 240	220 - 240
(Hz) (FREQUENCY)	50	50	50	50
(°C) (BASKET TEMPERATURE)	60 – 65	60 - 65	60 - 65	60 - 65
(POWER SUPPLY CABLE)	3 X 2,5	3 X 2,5	3 X 2,5	3 X 2,5
(CLASS)	1	1	1	1
(PRETECTION CLASS)	IP 21	IP 21	IP 21	IP 21
(Kg) (NET WEIGHT)	15	30	38	45

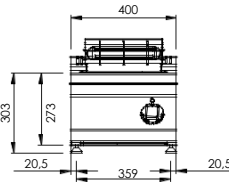
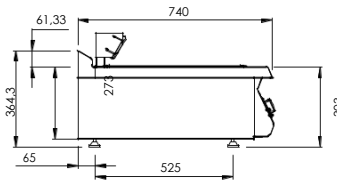
# 600 SERIES CHIPS SCUTTLE

## 643 SERIES CHIPS SCUTTLE

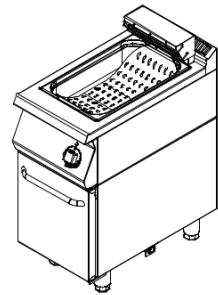
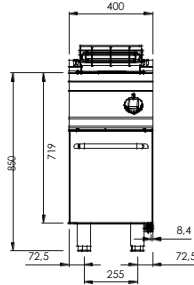
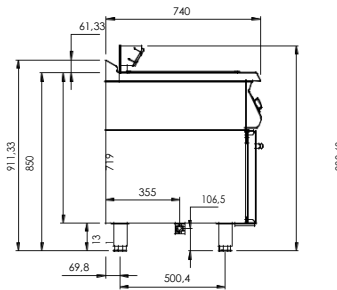


# 700 SERIES CHIPS SCUTTLE

## 743 SERIES CHIPS SCUTTLE

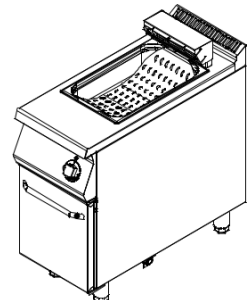
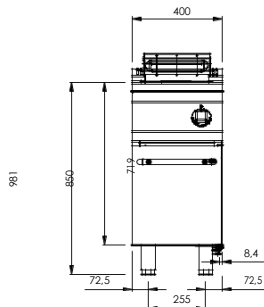
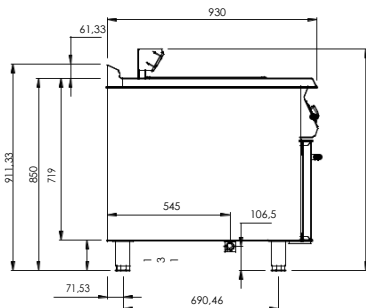


## 745 SERIES CHIPS SCUTTLE



# 900 SERIES CHIPS SCUTTLE

## 945 SERIES CHIPS SCUTTLE



# PRESENTATION

Dear User,

We thank you for having preferred our device and having relied on our company. Our devices are being used in industry kitchens in 75 countries together with you.

Our device has been produced in accordance with international standards. We strongly remind you that you read the instruction book, have your user read it to get the highest efficiency from the device matching your expectations and to use it for a long term. We ask you to take into consideration the following warnings before calling our service.

\* Please read the instruction book before installing and using the device and ensure that people using the device read it. If you turn on the machine without reading the instruction book, the device shall be out of the scope of the warranty.

\* The instruction book, giving information on assembly use and maintenance of the product bought has to be read carefully. Ensure that the electrical installations onto which the device will be connected are prepared in accordance with legal legislations by qualified personnel before appearance of our authorized service personnel for assembly of the device.

\* Get help from the nearest authorized service for issues over which you hesitate.

\* We remind you that the relevant costs and the fee for each hour of stay will be invoiced to you if the service personnel called for assembly is kept waiting.

\* We hope that you get the highest efficiency from our product...

# SAFETY RELATED DETAILS

☞ The device has by all means be operated under ventilation hood.



☞ In the area, where the device operates, no solid or liquid combustible materials (garments, alcohol and derivatives, petroleum chemicals, wood and plastic materials, curtains etc.) should be given place.



☞ Do not clean with pressurized water.



☞ You can use our devices together with our devices of the same series.



☞ This device has to be installed in accordance with applicable regulations and has solely be used at well-ventilated locations. Apply to instructions before installation and use of the device.

☞ The device has been produced for the purpose of industrial use and has to solely be used by the personnel, who have been trained for the said device.



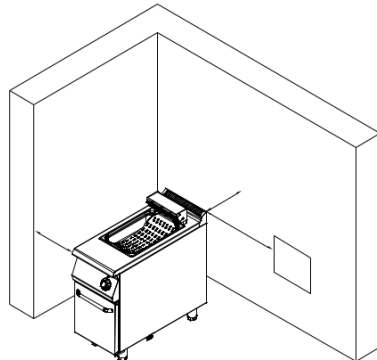
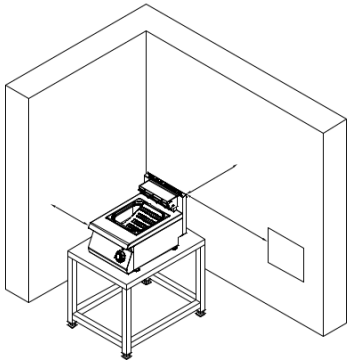
☞ The device should not be intervened in by persons out of the producer or the authorized service.



☞ In case of fire, blazing in the area, where the device is used, turn off the gas valves and electric switchgears (if any) without getting into panic and use a fire extinguisher. Never use water to extinguish flames.



# TRANSPORTATION AND RELOCATION



Relocation; The device, assembled by the Authorized Service, may not be RELOCATED by any person other than the authorized service.  
**ELECTRICITY SUPPLY CABLE MAY NOT BE EXTENDED, REPLACED.**

- ☞ The device has to be located on the pallet in a vertical position using man power.
- ☞ The device shall be transported by placing the forklift feet under the device.
- ☞ If the transportation distance is long, the staff members have to act slowly; if necessary, the device has to be fixed onto the pallet against vibrations or its stability has to be maintained by a person.
- ☞ Do not strike or drop the product during transportation.

## ASSEMBLY OF THE DEVICE



In order to locate the device near to a wall and partition, kitchen furniture, decorative coating etc., the said items have to be made of nonflammable material or coated with an appropriate thermal insulation material in which case the distance in-between has to be 5 cm or otherwise 20 cm at minimum. It is recommended that fire protection rules are attached special importance.



All of the below-mentioned items on assembly of the device have to be fulfilled by the authorized service personnel.

- ☞ The feet of the device have to be adjustable and it has to be ensured that the device is operable on a scale basis.
- ☞ Electrical connection of the device has to be checked by a qualified electrician and has to be connected to a fuse, which is at a height of 170 cm from the ground at maximum.
- ☞ Electrical connection has to be made by placing a leakage current fuse of 30 mA onto a supply fuse against leakage current risk.
- ☞ It has to be ensured that the device is earthed by connection of the electrical installation of the device to the earthing bar at the closest panel.

# USE OF THE DEVICE

Potato conditioning device is used at fast foods, bu ets, restaurants, hotels etc. for keeping the fried potatoes warm for a short period of time.

The exterior of the device has to be cleaned with a cloth squeezed after being applied warm soapy water before the rst use (before plugging in).

**NOTE: Do not go out of the intended purpose. The machine has to be used by a person, who is aware of safety and technical terms and who has read the instruction book.**



## **CAUTION!**

**DO NOT TURN ON YOUR DEVICE WITHOUT CONNECTING IT TO THE GROUND LINE.**

- \* After putting the packaged device on the operation place, take it out of its package.
- \* Turn on the device by bringing the on-o switch on the control panel to “I” position .
- \* The materials to be conditioned in the device shall be put in the device. The ltered oil and small particles accumulate in the chamber under the perforated plate.
- \* The materials in the chamber shall be ready for service at the end of a speci c waiting time period depending on the type of the material.
- \* The chamber in the device has to be cleaned at regular intervals.

It is recommended that the device is operated at environment conditions of a temperature range between ( -5 °C and + 40 °C ) and humidity rate of 65 % at maximum.

# USE OF THE DEVICE



CAUTION! : Attention has to be given to the fact that the device is installed and operated as told in assembly and usage instructions. In case of any breakdowns, inform our nearest authorized service.

IN CASE OF A BREAKDOWN OF THE DEVICE, THE INTERVENTION AUTHORITY SHALL SOLELY BE ON THE PART OF COMPANY AUTHORIZED SERVICES.

IF ANY TECHNICAL STAFF MEMBER OR UNQUALIFIED STAFF MEMBER OUT OF THE AUTHORIZED SERVICES INTERVENES IN THE DEVICE, THE DEVICE SHALL BE OUT OF THE SCOPE OF THE WARRANTY. ON THAT ACCOUNT, BY NO MEANS PERMIT ANY UNAUTHORIZED PEOPLE TO INTERVENE IN THE DEVICE.

UNDER SUCH CASES, THE MANUFACTURING COMPANY SHALL BY NO MEANS BE HELD LIABLE. USE OF UNORIGINAL SPARE PARTS SHALL NOT BE OFFERED TO OUR AUTHORIZED SERVICES IN THE COURSE OF SERVICE FOR ANY REASON. SUCH UNORIGINAL PARTS, ASSEMBLED TO THE DEVICE BY ANY MEANS, SHALL MAKE THE DEVICE OUT OF THE SCOPE OF THE WARRANTY.



# CLEANING AND MAINTENANCE

## 1. CLEANING:

Clean the exterior of the device before and after the first use and every following use (without supplying electricity to the device) with a sponge and liquid cleaning material.

Do not use CHEMICAL CLEANING MATERIALS such as marine acid, cif etc. for cleaning.



Soften and wipe the residues of the burnt food studs with warm water before getting hardened. If the residue is too hard and has waited for a long time, it has to be cleaned with a wooden scraper or stainless steel wool using soapy or chlorine-free detergent.

## 2. MAINTENANCE:

The periodical maintenance has to be applied by a technical staff member. We recommend that maintenance is applied on a semi-annual basis at maximum depending on frequency of use. Maintenance of the device by our authorized service staff members shall be charged even within the term of the warranty.

### LIFE TIME OF THE DEVICE

The life time of the device is 10 years if it is used under recommended terms of use.

## **TERMS OF WARRANTY**

- 1- The documents without sales date, plant and selling company information on them shall be invalid. The warranty deed shall be presented for gaining benefit from the warranty.
- 2- The device has been warranted against breakdowns to stem from material and workmanship defects on condition that it is assembled and used according to the instruction book on assembly, use and maintenance.
- 3- Establishment, way of elimination and designation of the exact place of the breakdowns within the scope of the warranty shall be assumed by COMPANY.
- 4- The warranty given shall solely apply for the warranted device if the instruction book on assembly, use and maintenance and the terms of warranty are abided by; no right or compensation may be claimed by any means other than this.
- 5- If there are any scrapings, erasures or changes are done on the information indicating the type, the model and the serial numbers of the device in the deed of the warranty or on the warranted device, the warranty shall be invalid.
- 6- The warranty solely consists of material and workmanship defects to arise during applicable times and maintenance and repair of the relevant breakdowns. The breakdowns and the parts within the scope of the warranty shall be repaired and replaced free of charge. Ownership of the parts replaced shall be held by Company
- 7- Solely the service station members authorized by Company can intervene in the breakdowns during the term of the scope of the warranty. Intervention of unauthorized people shall make the device out of the scope of the warranty.  
Assembly has to be made by authorized service personnel and information has to be given to the service in case of change of place of use of the device.
- 8- In case of any breakdowns during the use, information has to be given to the authorized service.
- 9- Elimination of damages and breakdowns to arise during loading, unloading and shipment operations out of responsibility of COMPANY shall be deemed out of the scope of the warranty. Likewise, elimination of damages and breakdowns to arise due to exterior factors during use of the device shall be out of the scope of the warranty as well.

# 643 - 743 - 745 - 945 SERIES CHIPS SCUTTLE

