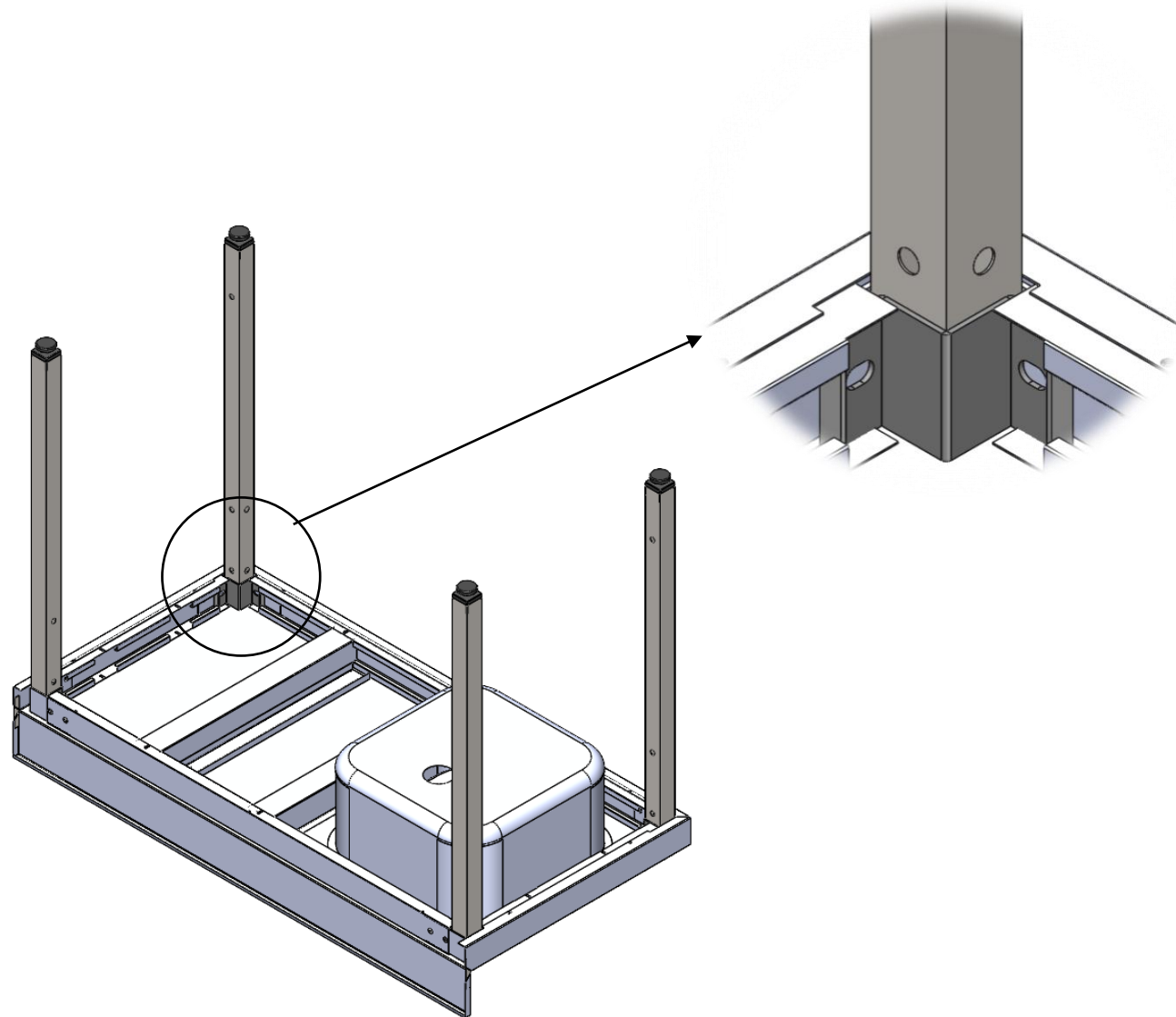
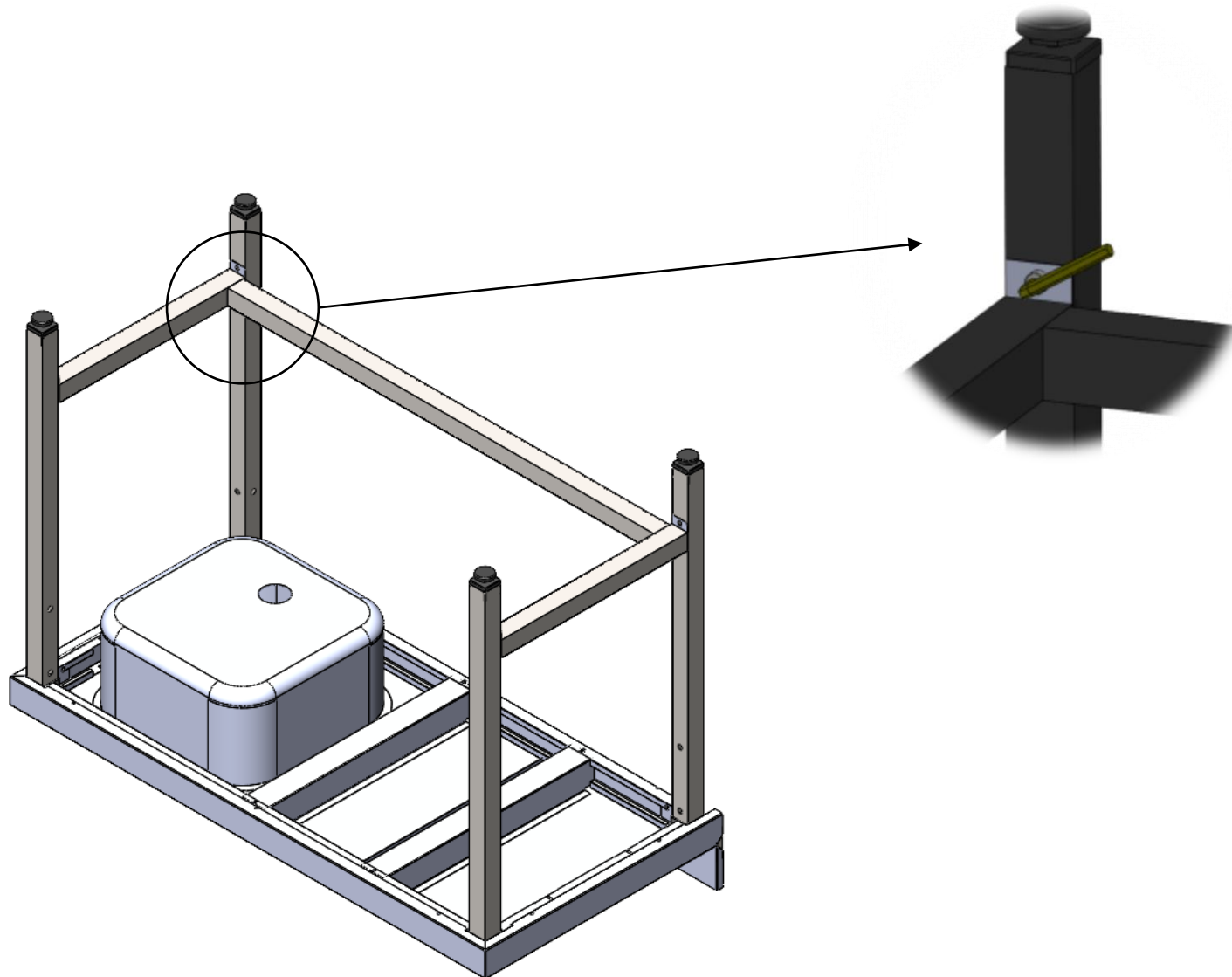


1º Tighten the feet with 8 M8x20 screws, with 8 washers and the fixings available in the kit;



2º Attach the leg frames with 4 M8x20 screws and M8 washers;



3º Fix the panels with 12 M8x20 screws and 12 washers;

