

# Snack panini grills

Snack units are made of AISI 430 stainless steel with AISI 304 top plate. All snack units include pressed top plate or basins with round internal angles and ergonomic front panels. All connection points are located on the device rear side. Wide selection of models and options helps in setting up a compact customized configuration.



- Heating plate thickness is 8 mm – it guarantees smaller temperature fluctuation
- After switching on the lower plate, the upper contact plate switches on automatically – one thermostat for both plates
- The heating zones operate independently in double modules
- Plate rim (space coverage) is welded on both sides
- Waste liquid basin
- Simple control of the electrical variant by means of the main switch and regulation knob
- Thermostat 50-300 °C
- Heating unit from quality stainless steel aisi 309



PS2010\*B



PM2015\*B



PD2020\*B



PS2010\*

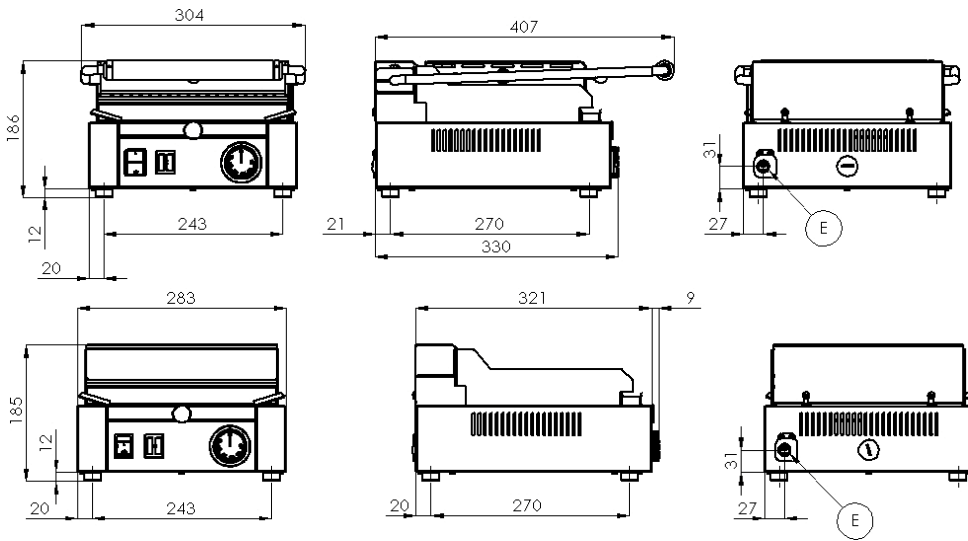


PM2015\*

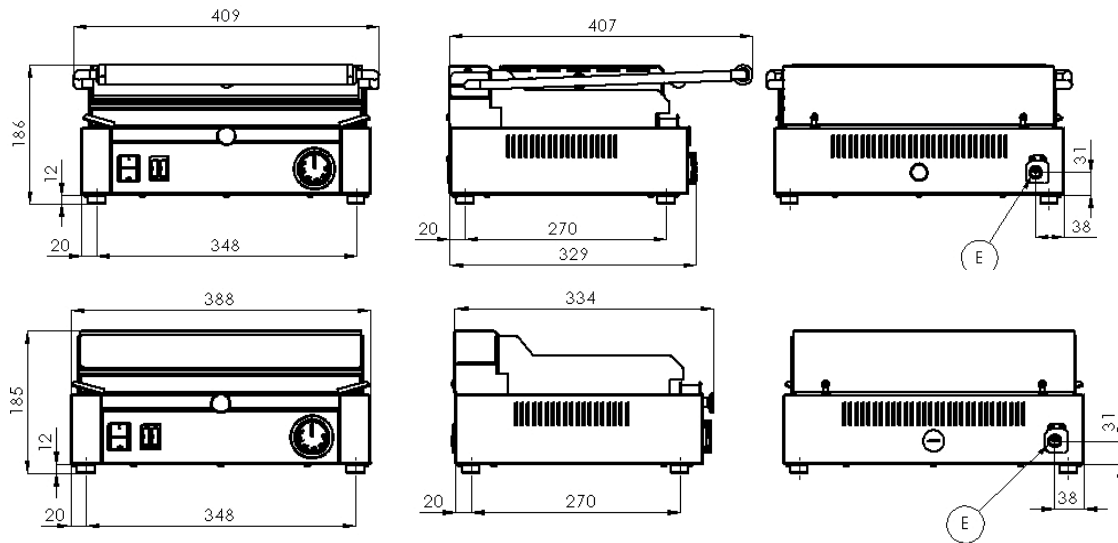
Index	Model	mm	kg	V / Hz	kW	Lower plate	Lower plate	° C
101 005 030 101 005 140	PS 2010 LB PS 2010 RB	304 x 322 x 182	9,2 8,7	230 / 50-60	1,2	240 x 260	Smooth Ribbed	50 - 300
101 005 120 101 005 130	PM 2015 LB PM 2015 RB	387 x 322 x 182	12 11,6	230 / 50-60	1,8	240 x 365	Smooth Ribbed	50 - 300
101 005 090 101 005 110 101 005 100	PD 2020 LB PD 2020 RB PD 2020 MB	592 x 322 x 182	17,1 16,4 16,7	230 / 50-60	2,4	240 x 570	Smooth Ribbed Combined	50 - 300
101 010 000 101 010 010	PS 2010 L PS 2010 R	304 x 405 x 182	16,3 15,9	230 / 50-60	3	240 x 260	Smooth Ribbed	50 - 300
101 010 100 101 010 110 101 010 115 101 010 105	PM 2015 L PM 2015 R PM 2015 LL PM 2015 LTF	409 x 405 x 182	21,3 20,8 21,6 21,3	230 / 50-60	3	240 x 365	Smooth Ribbed Smooth Smooth - teflon	50 - 300
101 010 070 101 010 090 101 010 080	PD 2020 L PD 2020 R PD 2020 M	614 x 405 x 182	31,5 30,7 31,1	400 / 50-60	6	240 x 570	Smooth Ribbed Combined	50 - 300
101 010 075 101 010 076 101 010 095 101 010 096 101 010 085 101 010 086	PD 2020 LSL PD 2020 LSP PD 2020 RSL PD 2020 RSP PD 2020 MSL PD 2020 MSP	614 x 405 x 182	24,5 24,5 23,7 23,7 24,1 23,9	400 / 50-60	4,2	240 x 570	Smooth Smooth Ribbed Ribbed Combined Combined	50 - 300

# Snack panini grills

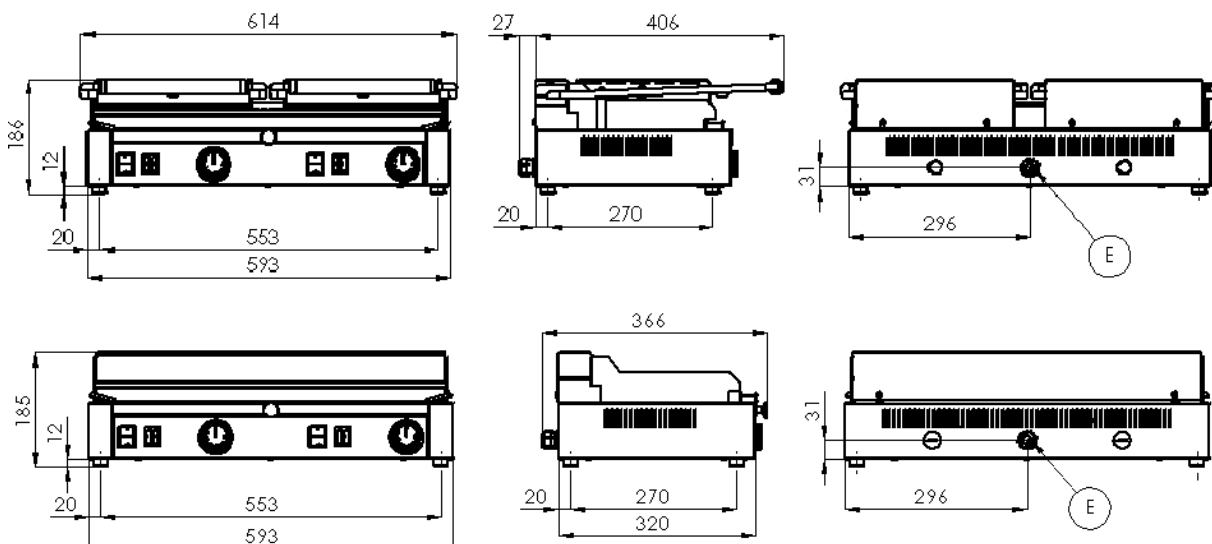
## PS



## PM



## PD



E – electric